

A photograph of an industrial facility, likely a refinery or chemical plant, featuring a complex network of pipes, valves, and large storage tanks. The ceiling is equipped with several long, linear LED lighting fixtures, which are the product being advertised. The scene is brightly lit, highlighting the metallic surfaces and the organized layout of the equipment.

Dialight

SafeSite[®] LED Linear Fixture - UL 844
for Indoor and Outdoor Hazardous Applications





Features & Benefits

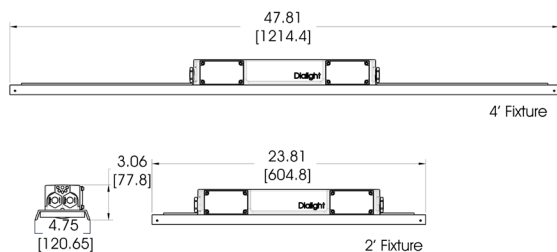
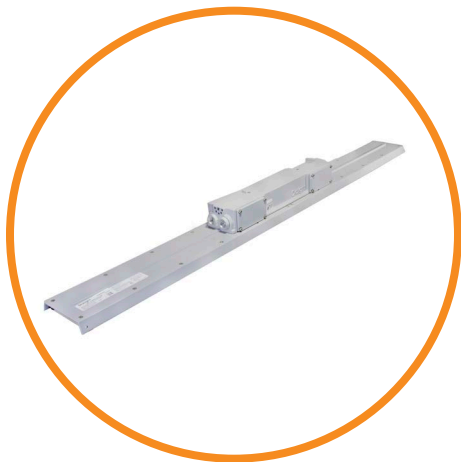
- 5-year warranty
- L70 rated for >100,000 hours @ 25°C ambient
- Instant on/off operation
- Mercury free
- Resistant to shock and vibration
- Temperature compensation technology for longer life

Application

The SafeSite® LED Linear fixture's rugged solid state design makes it highly resistant to shock and vibration. Its fully gasketed IP66/67 rated enclosure makes it suitable for dust & wet locations, its 1598/A rating guarantees added protection from salt water spray. The SafeSite® LED Linear's superior design allows for wiring and mounting versatility and ease of installation for many lighting applications.

SafeSite LED Linear - UL 844

Low Profile - Class I, Div. 2 / Class II



Dimensions in inches [mm]

Temperature Ratings

Ambient Temperature Range T4A Temperature Code	Ambient Temperature Range T5 Temperature Code
-40°F to +149°F (-40°C to +65°C)	-40°F to +113°F (-40°C to +45°C)

Certifications & Ratings

- UL 1598/A
- UL 844
- CSA C22.2 No. 137
- CSA C22.2 No. 250
- IP66 / 67
- Class I, Div. 2 Groups A, B, C & D
- Class II, Div. 1 Groups E, F & G
- Class II, Div. 2 Groups F & G
- Class III
- NEMA 4X

Mechanical Information:

- Fixture weight:** 4' - 10 lb (4.5 kg)
2' - 7 lb (3.2 kg)
- Shipping weight:** 4' - 11 lb (5.0 kg)
2' - 8 lb (3.6 kg)
- Mounting:** (4) 3/4" NPT openings
Optional swivel bracket - LPXW4
Optional low profile bracket - LPXW4LP

Electrical Specifications:

- Operating voltage:** 100-277 VAC, 50/60Hz
- Power consumption:** See ordering information
- Operating temp:** -40°F to +149°F (-40°C to +65°C)
- Harmonics:** IEC 61000-3-2
- Noise Requirements/EMC:** FCC Title 47, Subpart B, Section 15, Class A device. RF Immunity; 10V/m, 80MHz-1GHz
- Surge protection:** EN 61000-4-5
4 kV line-to-line
4 kV line-to-ground
- THD:** < 20%
- Power factor:** > 0.9

Construction:

- Finish:** Superior dual coat finish
- Sealed polyester topcoat
- Chemical resistant epoxy primer
- Lens:** Polycarbonate

Photometric Information:

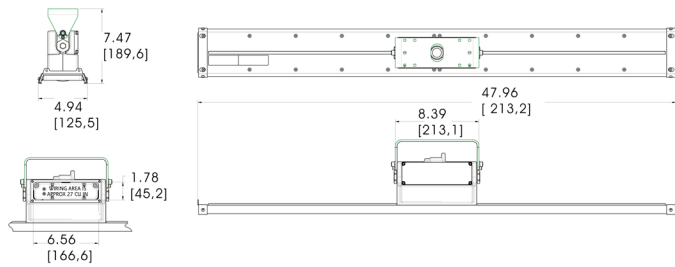
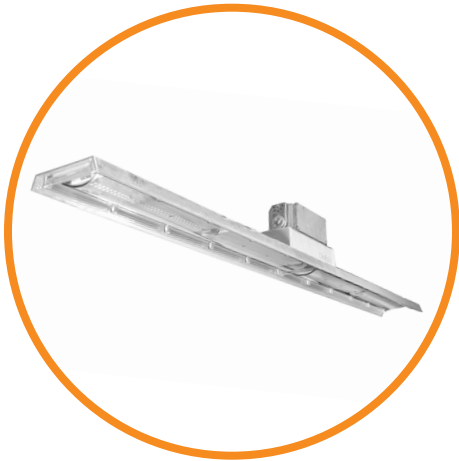
- CRI:** 80
- CCT:** 5000K (cool white)
4000K (neutral white)
- IES files:** Available at www.dialight.com

All values typical unless otherwise stated (tolerance +/- 10%)

WARNING: INSTALLATION & SECONDARY RETENTION: *The use of this product without proper installation and inspections, including secondary safety retention/securing, could cause severe injury or death.* Dialight recommends that all installations should use secondary retention (appropriate to the installation environment) where applicable. It is the exclusive responsibility of the contractor, installer and/or end customer to: (a) determine the suitability of the product for its intended application; and, (b) ensure that the product is installed safely (with secondary retention where appropriate) and in compliance with all applicable laws and regulations. To the extent permissible under the relevant law, Dialight disclaims all responsibility for personal injury and/or other damage resulting from any dislodgement or other dislocation of this product.

SafeSite LED Linear - UL 844

Top Conduit - Class I, Div. 2 / Class II



Dimensions in inches [mm]

Temperature Ratings

Ambient Temperature Range T4A Temperature Code	Ambient Temperature Range T5 Temperature Code
-40°F to +149°F (-40°C to +65°C)	-40°F to +113°F (-40°C to +45°C)

Certifications & Ratings

- UL 1598/A
- UL 844
- CSA C22.2 No. 137
- CSA C22.2 No. 250
- IP66
- Class I, Div. 2 Groups A, B, C & D
- Class II, Div. 1 Groups E, F & G
- Class II, Div. 2 Groups F & G
- Class III
- NEMA 4X

Mechanical Information:

- Fixture weight:** 4' - 10 lb (4.5 kg)
2' - 7 lb (3.2 kg)
- Shipping weight:** 4' - 11 lb (5.0 kg)
2' - 8 lb (3.6 kg)
- Mounting:** (3) 3/4" NPT openings
Optional swivel bracket - LTXW4
Optional low profile bracket - LTXW4LP

Electrical Specifications:

- Operating voltage:** 100-277 VAC, 50/60Hz
- Power consumption:** See ordering information
- Operating temp:** -40°F to +149°F (-40°C to +65°C)
- Harmonics:** IEC 61000-3-2
- Noise Requirements/EMC:** FCC Title 47, Subpart B, Section 15, Class A device. RF Immunity; 10V/m, 80MHz-1GHz
- Surge protection:** EN 61000-4-5
4 kV line-to-line
4 kV line-to-ground
- THD:** < 20%
- Power factor:** > 0.9
- Construction:**
- Finish:** Superior dual coat finish
- Sealed polyester topcoat
- Chemical resistant epoxy primer
- Lens:** Polycarbonate

Photometric Information:

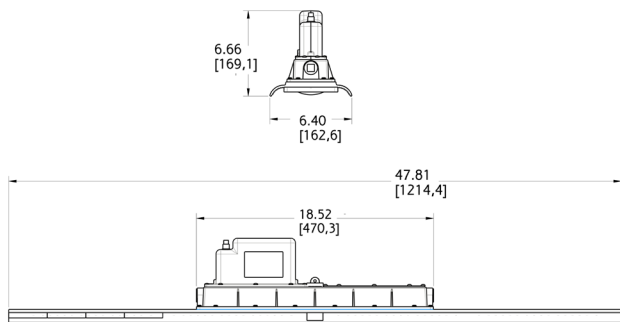
- CRI:** 80
- CCT:** 5000K (cool white)
4000K (neutral white)
- IES files:** Available at www.dialight.com

All values typical unless otherwise stated (tolerance +/- 10%)

WARNING: INSTALLATION & SECONDARY RETENTION: *The use of this product without proper installation and inspections, including secondary safety retention/securing, could cause severe injury or death.* Dialight recommends that all installations should use secondary retention (appropriate to the installation environment) where applicable. It is the exclusive responsibility of the contractor, installer and/or end customer to: (a) determine the suitability of the product for its intended application; and, (b) ensure that the product is installed safely (with secondary retention where appropriate) and in compliance with all applicable laws and regulations. To the extent permissible under the relevant law, Dialight disclaims all responsibility for personal injury and/or other damage resulting from any dislodgement or other dislocation of this product.

SafeSite LED Linear - UL 844

Battery Backup - Class I, Div. 2 / Class II



Dimensions in inches [mm]

Temperature Ratings

Ambient Temperature Range T4A Temperature Code	Ambient Temperature Range T5 Temperature Code
-4°F to +149°F (-20°C to +65°C)	-4°F to +113°F (-20°C to +45°C)

Certifications & Ratings

- UL 1598/A
- UL 844
- UL 924
- CSA C22.2 No. 137
- CSA C22.2 No. 250
- IP66
- Class I, Div. 2 Groups A, B, C & D
- Class II, Div. 1 Groups E, F & G
- Class II, Div. 2 Groups F & G
- Class III
- NEMA 4X

Mechanical Information:

- Fixture weight:** 18 lb (8.2 kg)
- Shipping weight:** 21 lb (9.5 kg)
- Mounting:** (1) Threaded 3/4" NPT side
(2) Threaded 3/4" NPT ends

Electrical Specifications:

- Operating voltage:** 120-277 VAC, 50/60Hz
- Power consumption:** 85W
- Operating temp:** -4°F to +149°F (-20°C to +65°C)
- Battery:** 3.6V 10Ah NiMH
- Expected battery life*:** 3 years
- Battery duration*:** > 3 hours
- Harmonics:** IEC 61000-3-2
- Noise Requirements/EMC:** FCC Title 47, Subpart B, Section 15, Class A device. RF Immunity; 10V/m, 80MHz-1GHz
- Surge protection:** EN 61000-4-5
1 kV line-to-line
2 kV line-to-ground
- THD:** < 20%
- Power factor:** > 0.9

Construction:

- Finish:** Superior dual coat finish
- Sealed polyester topcoat
- Chemical resistant epoxy primer
- Lens:** Polycarbonate

Photometric Information:

- CRI:** 75
- CCT:** 5000K (cool white)
- IES files:** available at www.dialight.com

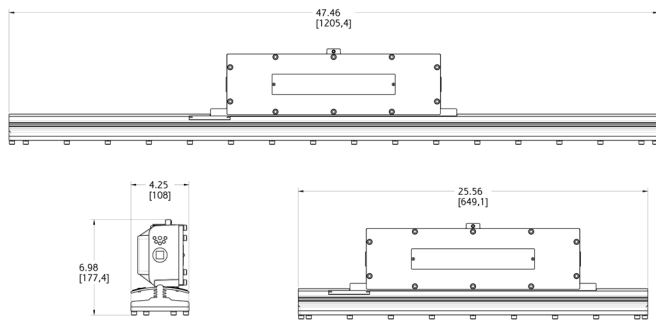
All values typical unless otherwise stated (tolerance +/- 10%)

* @ 25°C ambient

WARNING: INSTALLATION & SECONDARY RETENTION: *The use of this product without proper installation and inspections, including secondary safety retention/securing, could cause severe injury or death.* Dialight recommends that all installations should use secondary retention (appropriate to the installation environment) where applicable. It is the exclusive responsibility of the contractor, installer and/or end customer to: (a) determine the suitability of the product for its intended application; and, (b) ensure that the product is installed safely (with secondary retention where appropriate) and in compliance with all applicable laws and regulations. To the extent permissible under the relevant law, Dialight disclaims all responsibility for personal injury and/or other damage resulting from any dislodgement or other dislocation of this product.

SafeSite LED Linear - UL 844

Class I, Div. 1



Dimensions in inches [mm]

Temperature Ratings

Ambient Temperature Range T4A Temperature Code	Ambient Temperature Range T5 Temperature Code
-40°F to +149°F (-40°C to +65°C)	-40°F to +113°F (-40°C to +45°C)

Certifications & Ratings

- UL1598
- UL844
- CSA C22.2 No. 137
- Class I, Div. 1 Groups C & D
- IP66
- NEMA 4X

Mechanical Information:

- Fixture weight:** 4' - 26 lb (11.8 kg)
2' - 17.5 lb (7.9 kg)
- Shipping weight:** 4' - 28 lb (12.7 kg)
2' - 19.5 lb (8.8 kg)
- Mounting:** (1) Threaded 3/4" NPT side
(2) Threaded 3/4" NPT ends

Electrical Specifications:

- Operating voltage:** 100-277 VAC, 50/60Hz or 347/480 VAC, 50/60Hz
- Power consumption:** See ordering information
- Operating temp:** -40°F to +149°F (-40°C to +65°C)
- Harmonics:** IEC 61000-3-2
- Noise Requirements/EMC:** FCC Title 47, Subpart B, Section 15, Class A device. RF Immunity; 10V/m, 80MHz-1GHz
- Surge protection:** EN 61000-4-5
4 kV line-to-line
4 kV line-to-ground
- THD:** < 20%
- Power factor:** > 0.9

Construction:

- Finish:** Superior dual coat finish
- Sealed polyester topcoat
- Chemical resistant epoxy primer
- Lens:** Glass

Photometric Information:

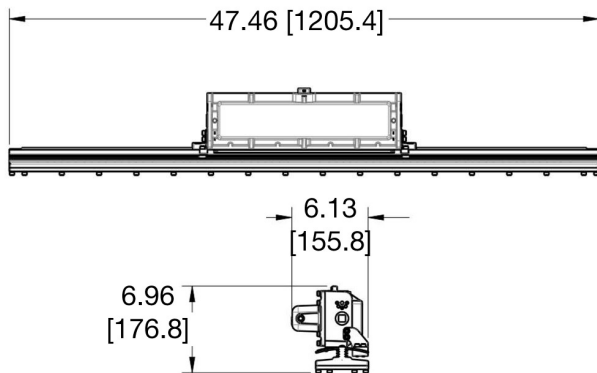
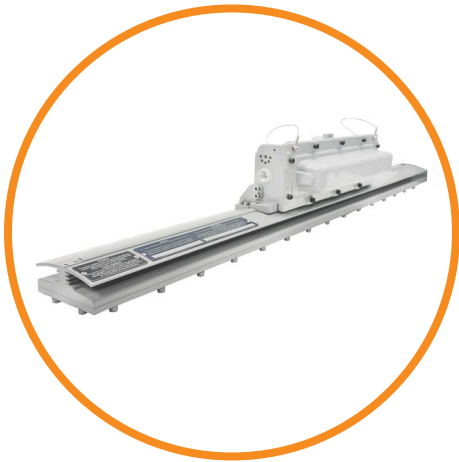
- CRI:** 75
- CCT:** 5000K (cool white)
400K (neutral white)
- IES files:** Available upon request

All values typical unless otherwise stated (tolerance +/- 10%)

WARNING: INSTALLATION & SECONDARY RETENTION: *The use of this product without proper installation and inspections, including secondary safety retention/securing, could cause severe injury or death. Dialight recommends that all installations should use secondary retention (appropriate to the installation environment) where applicable. It is the exclusive responsibility of the contractor, installer and/or end customer to: (a) determine the suitability of the product for its intended application; and, (b) ensure that the product is installed safely (with secondary retention where appropriate) and in compliance with all applicable laws and regulations. To the extent permissible under the relevant law, Dialight disclaims all responsibility for personal injury and/or other damage resulting from any dislodgement or other dislocation of this product.*

SafeSite LED Linear - UL 844

Battery Backup - Class I, Div. 1



Dimensions in inches [mm]

Temperature Ratings

Ambient Temperature Range T4A Temperature Code

-4°F to +149°F (-20°C to +65°C)

Certifications & Ratings

- UL 1598/A
- UL 844
- CSA C22.2 No. 137
- CSA C22.2 No. 250
- Class I, Div. 1 Groups C & D
- Class I, Div. 2 Groups A, B, C & D
- IP66
- NEMA 4X

Mechanical Information:

- Fixture weight:** 32 lb (14.5 kg)
- Shipping weight:** 35 lb (15.9 kg)
- Mounting:** (1) Threaded 3/4" NPT side
(2) Threaded 3/4" NPT ends

Electrical Specifications:

- Operating voltage:** 120-277 VAC, 50/60Hz
- Power consumption:** 85W
- Operating temp:** -4°F to +149°F (-20°C to +65°C)
- Battery:** 3.6V 10Ah NiMH
- Expected battery life*:** 3 years
- Lumen output in battery mode:** 500lm
- Battery duration*:** > 3 hours
- Harmonics:** IEC 61000-3-2
- Noise Requirements/EMC:** FCC Title 47, Subpart B, Section 15, Class A device. RF Immunity; 10V/m, 80MHz-1GHz
- Surge protection:** EN 61000-4-5
1 kV line-to-line
2 kV line-to-ground
- THD:** < 20%
- Power factor:** > 0.9

Construction:

- Finish:** Superior dual coat finish
- Sealed polyester topcoat
- Chemical resistant epoxy primer
- Lens:** Tempered glass

Photometric Information:

- CRI:** 75
- CCT:** 5000K (cool white)
- IES files:** available at www.dialight.com

All values typical unless otherwise stated (tolerance +/- 10%)

* @ 25°C ambient

WARNING: INSTALLATION & SECONDARY RETENTION: *The use of this product without proper installation and inspections, including secondary safety retention/securing, could cause severe injury or death.* Dialight recommends that all installations should use secondary retention (appropriate to the installation environment) where applicable. It is the exclusive responsibility of the contractor, installer and/or end customer to: (a) determine the suitability of the product for its intended application; and, (b) ensure that the product is installed safely (with secondary retention where appropriate) and in compliance with all applicable laws and regulations. To the extent permissible under the relevant law, Dialight disclaims all responsibility for personal injury and/or other damage resulting from any dislodgement or other dislocation of this product.

SafeSite LED Linear - UL 844

Mounting and Accessories

Low Profile Linear



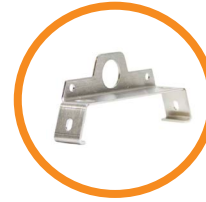
LPXW4LP

- 316 Stainless steel low profile mounting bracket
- Can be angled at 0° and 15°



LPXW4

- 316 Stainless steel mounting bracket
- Can be angled at 0°, 30°, 45°, 60° & 90°



LTXENDCAPKIT

- 304 Stainless steel chain mount and secondary retention bracket



LTXSAFEKIT

- Safety Cable Kit for secondary retention

Top Conduit Linear



LTXW4

- Aluminum mounting bracket
- Can be angled at 0°, 30°, 45°, 60° and 90°



LTXW4LP

- Aluminum low profile mounting bracket
- Can be angled at 0° and 15°



LTXENDCAPKIT

- 304 Stainless steel chain mount and secondary retention bracket



LTXSAFEKIT

- Safety cable kit for secondary retention



LTXLSXW4

- Retrofit bracket adapter used to connect LTM model fixtures to an existing LSXW4 bracket

WARNING: INSTALLATION & SECONDARY RETENTION: *The use of this product without proper installation and inspections, including secondary safety retention/securing, could cause severe injury or death. Dialight recommends that all installations should use secondary retention (appropriate to the installation environment) where applicable. It is the exclusive responsibility of the contractor, installer and/or end customer to: (a) determine the suitability of the product for its intended application; and, (b) ensure that the product is installed safely (with secondary retention where appropriate) and in compliance with all applicable laws and regulations. To the extent permissible under the relevant law, Dialight disclaims all responsibility for personal injury and/or other damage resulting from any dislodgement or other dislocation of this product.*

SafeSite LED Linear - UL 844

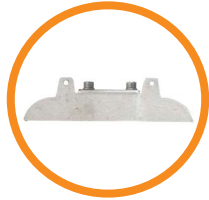
Mounting and Accessories

Battery Backup Linear



LSXW4

- Aluminum mounting bracket
- Can be angled at 0°, 30°, 45°, 60° and 90°



LSXENDCAPKIT

- 304 Stainless steel chain mount brackets



HZXSAFEKIT

- Safety cable kit

Class I, Div. 1



LSXW5

- Aluminum mounting bracket
- Can be angled at 0°, 30°, 45°, 60° & 90°



HZXSAFEKIT

- Safety cable kit

WARNING: INSTALLATION & SECONDARY RETENTION: *The use of this product without proper installation and inspections, including secondary safety retention/securing, could cause severe injury or death.* Dialight recommends that all installations should use secondary retention (appropriate to the installation environment) where applicable. It is the exclusive responsibility of the contractor, installer and/or end customer to: (a) determine the suitability of the product for its intended application; and, (b) ensure that the product is installed safely (with secondary retention where appropriate) and in compliance with all applicable laws and regulations. To the extent permissible under the relevant law, Dialight disclaims all responsibility for personal injury and/or other damage resulting from any dislodgement or other dislocation of this product.

SafeSite LED Linear - UL 844

Low Profile - Class I, Div. 2 / Class II - Ordering Information

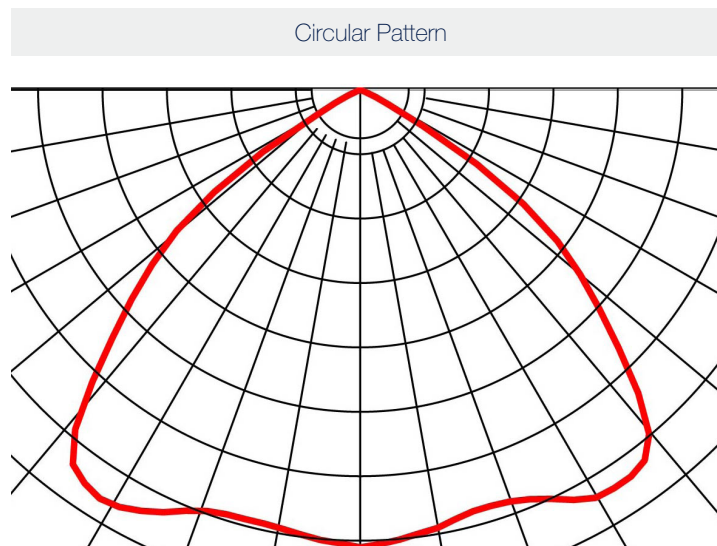
Classifications: CID2 A, B, C, D • CIID1 E, F, G • CIID2 F, G • CIII

Part Number	Length	CRI	CID1	CID2	CIID1	CIID2	CIII	Voltage	Lens	CCT	Fixture Lumens	Watt	lm/W	Beam Distribution
Class I, Div. 2 Models														
LPD3C4M2P	4'	80		•				100-277 VAC	Clear	5000K (cool white)	7,250	66	110	Medium
LPD3C4H2W	4'	80		•				100-277 VAC	Diffused	5000K (cool white)	6,700	66	102	Medium
LPD3C4D2P	2'	80		•				100-277 VAC	Clear	5000K (cool white)	3,600	33	109	Medium
LPD3C4B2W	2'	80		•				100-277 VAC	Diffused	5000K (cool white)	3,300	33	100	Medium
Class II Models														
LPF3C4M2P	4'	80			•	•	•	100-277 VAC	Clear	5000K (cool white)	7,000	66	106	Medium
LPF3C4H2W	4'	80			•	•	•	100-277 VAC	Diffused	5000K (cool white)	6,500	66	98	Medium
LPF3C4D2P	2'	80			•	•	•	100-277 VAC	Clear	5000K (cool white)	3,500	33	106	Medium
LPF3C4B2W	2'	80			•	•	•	100-277 VAC	Diffused	5000K (cool white)	3,300	33	97	Medium

All values typical unless otherwise stated, Lumen values are typical (tolerance +/- 10%).

Part numbers listed in the table above are cool white. For neutral white model, replace the 5th character with N. Ex. LPD3CN4M2P becomes LPD3N4M2P

Beam Distribution



WARNING: INSTALLATION & SECONDARY RETENTION: *The use of this product without proper installation and inspections, including secondary safety retention/securing, could cause severe injury or death. Dialight recommends that all installations should use secondary retention (appropriate to the installation environment) where applicable. It is the exclusive responsibility of the contractor, installer and/or end customer to: (a) determine the suitability of the product for its intended application; and, (b) ensure that the product is installed safely (with secondary retention where appropriate) and in compliance with all applicable laws and regulations. To the extent permissible under the relevant law, Dialight disclaims all responsibility for personal injury and/or other damage resulting from any dislodgement or other dislocation of this product.*

SafeSite LED Linear - UL 844

Top Conduit - Class I, Div. 2 / Class II - Ordering Information

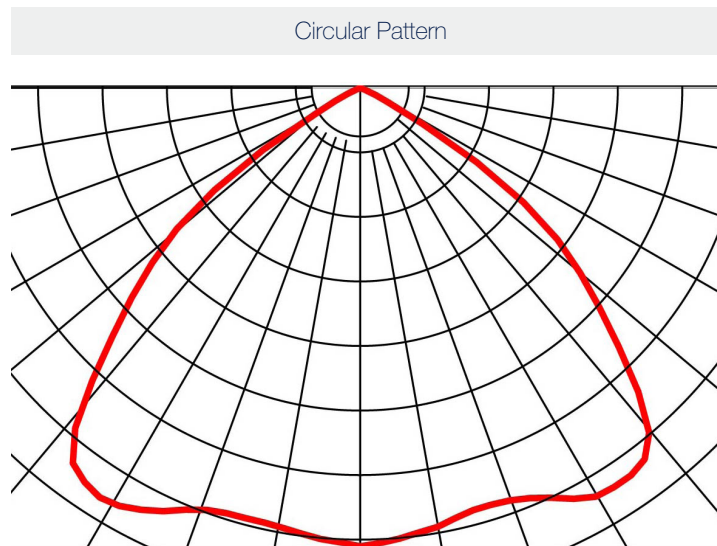
Classifications: CID2 A, B, C, D • CIID1 E, F, G • CIID2 F, G • CIII

Part Number	Length	CRI	CID1	CID2	CIID1	CIID2	CIII	Voltage	Lens	CCT	Fixture Lumens	Watt	lm/W	Beam Distribution
Class I, Div. 2 Models														
LTD3C4M2P	4'	80		•				100-277 VAC	Clear	5000K (cool white)	7,250	66	110	Medium
LTD3C4H2W	4'	80		•				100-277 VAC	Diffused	5000K (cool white)	6,700	66	102	Medium
LTD3C4D2P	2'	80		•				100-277 VAC	Clear	5000K (cool white)	3,600	33	109	Medium
LTD3C4B2W	2'	80		•				100-277 VAC	Diffused	5000K (cool white)	3,300	33	100	Medium
Class II Models														
LTF3C4M2P	4'	80			•	•	•	100-277 VAC	Clear	5000K (cool white)	7,000	66	106	Medium
LTF3C4H2W	4'	80			•	•	•	100-277 VAC	Diffused	5000K (cool white)	6,600	66	98	Medium
LTF3C4D2P	2'	80			•	•	•	100-277 VAC	Clear	5000K (cool white)	3,500	33	106	Medium
LTF3C4B2W	2'	80			•	•	•	100-277 VAC	Diffused	5000K (cool white)	3,200	33	97	Medium

All values typical unless otherwise stated, Lumen values are typical (tolerance +/- 10%).

Part numbers listed in the table above are cool white. For neutral white model, replace the 5th character with N. Ex. LTD3C4D2P becomes LTD3N4D2P

Beam Distribution



WARNING: INSTALLATION & SECONDARY RETENTION: *The use of this product without proper installation and inspections, including secondary safety retention/securing, could cause severe injury or death.* Dialight recommends that all installations should use secondary retention (appropriate to the installation environment) where applicable. It is the exclusive responsibility of the contractor, installer and/or end customer to: (a) determine the suitability of the product for its intended application; and, (b) ensure that the product is installed safely (with secondary retention where appropriate) and in compliance with all applicable laws and regulations. To the extent permissible under the relevant law, Dialight disclaims all responsibility for personal injury and/or other damage resulting from any dislodgement or other dislocation of this product.

SafeSite LED Linear - UL 844

Battery Backup - Ordering Information

Classifications: CID1 C, D • CID2 A, B, C, D • CIID1 E, F, G • CIID2 F, G • CIID1 • CIID2

This fixture is offered in sustained and maintained configurations.

Sustained has a single AC input and battery backup mode is entered upon any loss of power. Fixture cannot be turned off without entering battery backup mode.

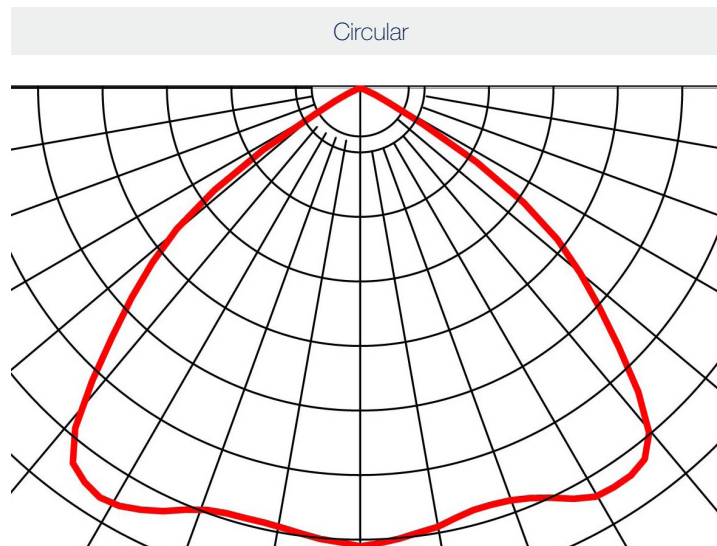
Maintained has two AC inputs. The fixture can be turned on and off via AC-1 and Fixture only enters battery backup mode when AC-2 is lost or low.

Part Number	Length	CRI	Type	CID1	CID2	CIID1	CIID2	CIII	Voltage	Lens	CCT	Fixture Lumens	Watt	lm/W	Beam Distribution
Class I, Div. 1 Models															
LSC3C4MEGEX	4'	75	Sustained	•					120-277 VAC	Clear	5000K (cool white)	7,250	85	85	Medium
Class I, Div. 2 Models															
LSD3C4MEP	4'	75	Sustained		•				120-277 VAC	Clear	5000K (cool white)	7,000	85	82	Medium
LSD3C4MNP	4'	75	Maintained		•				120-277 VAC	Clear	5000K (cool white)	7,000	85	82	Medium
Class II Models															
LSF3C4MEP	4'	75	Sustained			•	•	•	120-277 VAC	Clear	5000K (cool white)	7,000	85	82	Medium
LSF3C4MNP	4'	75	Maintained			•	•	•	120-277 VAC	Clear	5000K (cool white)	7,000	85	82	Medium

All values typical unless otherwise stated, Lumen values are typical (tolerance +/- 10%).

Part numbers listed in the above table are cool white. For neutral white models replace the 5th character with N. Ex. LSF3C4MEP becomes LSF3N4MEP

Beam Distribution



WARNING: INSTALLATION & SECONDARY RETENTION: *The use of this product without proper installation and inspections, including secondary safety retention/securing, could cause severe injury or death. Dialight recommends that all installations should use secondary retention (appropriate to the installation environment) where applicable. It is the exclusive responsibility of the contractor, installer and/or end customer to: (a) determine the suitability of the product for its intended application; and, (b) ensure that the product is installed safely (with secondary retention where appropriate) and in compliance with all applicable laws and regulations. To the extent permissible under the relevant law, Dialight disclaims all responsibility for personal injury and/or other damage resulting from any dislodgement or other dislocation of this product.*

SafeSite LED Linear - UL 844

Class I, Div. 1 - Ordering Information

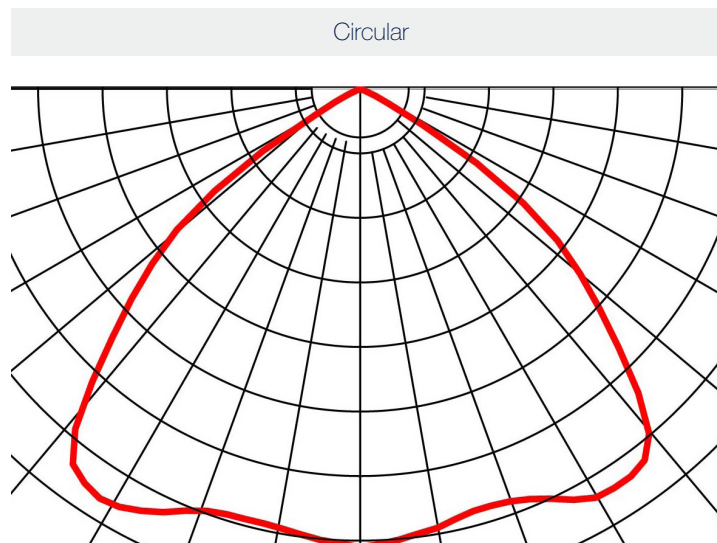
Classifications: CID1 C, D

Part Number	Length	CRI	CID1	CID2	CIID1	CIID2	CIII	Voltage	Lens	CCT	Fixture Lumens	Watt	lm/W	Beam Distribution
100-277 VAC Models														
LSC3C4M3GEX	4'	75	•					100-277 VAC	Tempered glass	5000K (cool white)	7,250	68	106	Medium
LSC3C4D3GEX	2'	75	•					100-277 VAC	Tempered glass	5000K (cool white)	3,600	34	106	Medium
347/480 VAC Models														
LSC3C5M3GEX	4'	75	•					347/480 VAC	Tempered glass	5000K (cool white)	7,250	100	72	Medium
LSC3C5D3GEX	2'	75	•					347/480 VAC	Tempered glass	5000K (cool white)	3,600	50	72	Medium

All values typical unless otherwise stated, Lumen values are typical (tolerance +/- 10%).

Part numbers listed in the table above are cool white. For neutral white, model replace the 5th character with N. Ex. LSC3C4D3GEX becomes LSC3CN4D3GEX

Beam Distribution



WARNING: INSTALLATION & SECONDARY RETENTION: *The use of this product without proper installation and inspections, including secondary safety retention/securing, could cause severe injury or death. Dialight recommends that all installations should use secondary retention (appropriate to the installation environment) where applicable. It is the exclusive responsibility of the contractor, installer and/or end customer to: (a) determine the suitability of the product for its intended application; and, (b) ensure that the product is installed safely (with secondary retention where appropriate) and in compliance with all applicable laws and regulations. To the extent permissible under the relevant law, Dialight disclaims all responsibility for personal injury and/or other damage resulting from any dislodgement or other dislocation of this product.*

North American HQ

1501 Route 34 South
Farmingdale, NJ 07727
Tel: 732-919-3119
Fax: 732-751-5778
info@dialight.com

EMEA Technical Centre

Ejby Industrivej 91 B
2600 Glostrup
Tel: +45 8877 4545 (Denmark)
Tel: +44 1638 666541 (UK)
Tel: +49 89 12089 5713 (Germany)
Tel: +33 3 23 22 62 58 (France)
sales-europe@dialight.com

Houston

16830 Barker Springs Rd
Ste 407
Houston, TX 77084
Tel: 732-919-3119
Faz: 281-492-1531
info@dialight.com

Middle East

Level 42
Emirates Towers (Office Tower)
Sheikh Zayed Road
Dubai, United Arab Emirates
Fax: +971 (0) 4319 7686
Tel: +971 (0) 4319 7686

Australia

108 Howe Street
Osborne Park, WA 6017
Tel: +61 (0) 8 9244 7600
Fax: +61 (0) 8 9244 7601
info@dialight.com.au

Southeast Asia

33 Ubi Avenue 3
#07-72 Vertex (Tower A)
Singapore 408868
Tel: +65 6578 7157
Fax: +65 6578 7150
enquiry@dialight.com.sg

Brazil

Alameda Mercurio,
225 – American Park Empresarial NR
Indaiatuba – SP – 13347– 662
Tel: +55 (19) 3113-4300
Fax: +55 (19) 3113-4300
brasil@dialight.com

DISCLAIMER: *The use of this product without proper installation and inspections, including secondary safety retention/securing, could cause severe injury or death. Dialight products are intended for ultimate purchase, installation and operation by knowledgeable persons trained in the functional assessment, installation, use and maintenance of such products and all customers (including but not limited to end customers) are responsible for assessing the suitability of Dialight products for any given installation requirement. All values and performance data herein are design or typical values when measured under laboratory conditions. Whilst Dialight has used all reasonable endeavours to ensure the completeness and accuracy of information herein, this document does not form part of any contract with Dialight and Dialight does not assume any liability for damages resulting from use of this information or for any third party representations made in relation to Dialight products. The information herein is subject to change without notice. The products / software detailed herein are subject to applicable warranties and terms and conditions of use/purchase. Unless agreed otherwise in writing by an authorised representative of Dialight, Dialight does not represent that its products are fit for a particular purpose and accepts no liability for the installation and/or unauthorised use of its products. When ordering please refer to www.dialight.com for current versions of: (a) relevant product documentation (including the most up to date product data sheets); (b) Dialight terms and conditions of sale; and, (c) Dialight warranty terms. All information provided is, to Dialight's knowledge, accurate at the date of publication, but is subject to change without notice and does not form part of any contract with Dialight. In the event of any discrepancy between this document and information provided on our website, the latter shall prevail.*